

Continental Flagpoles

PATIO MODEL FLAGPOLE: WALL-MOUNTED

Your new PATIO flagpole is of all-aluminum construction, with a natural anodized finish which will require no further care or maintenance. Both types of brackets, Vertical Wall Mount and Outrigger Wall Mount are made of cast aluminum and are drilled for the fastener of your choice (not included). We suggest that you use plated fasteners for protection against rust.

INSTALLATION:

First, determine the type of fastener best suited for use on your wall (through-bolt mounting is preferred). Then, mount bracket as instructed below:

Vertical Wall Mount:

There are two brackets to the set; the top bracket has a through-hole, the bottom has a cupped hole. Make a vertical mark on the wall where you want the brackets mounted. Line up the brackets on the mark, from 18" to 24" apart. Drill holes for your type of fasteners, and mount the brackets.

Universal Outrigger Wall Mount:

There is just one bracket, with three 5/16" holes for the fasteners. Line up the bracket vertically, mark hole locations, drill, and mount bracket.

ASSEMBLY:

Slide aluminum tube sections together, with the un-swaged (straight) section at the top. Mount truck assembly to the top of the flagpole, using an Allen wrench to tighten the set-screws.

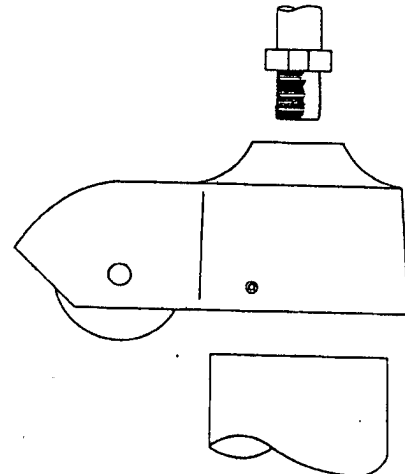
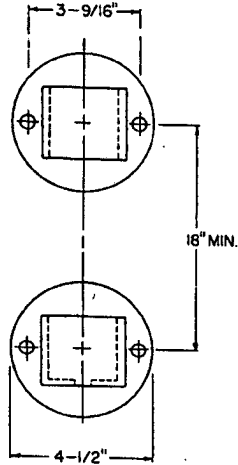
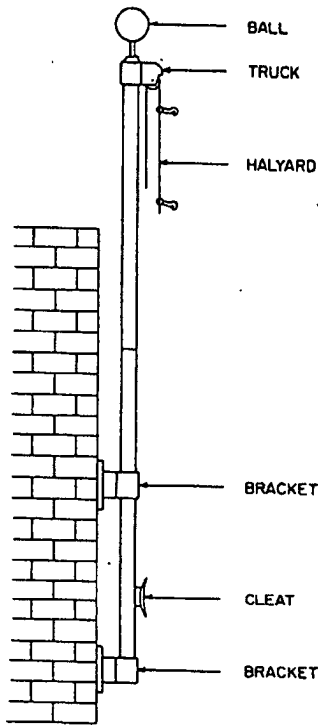
Screw the ball-stem tightly into top of truck, using a wrench to tighten the jam-nut against the truck.

Thread halyard rope through truck pulley, and tie flagsnaps into place, using a simple overhand knot. (Knots can be adjusted later to fit the size flag being flown.) Tie halyard rope-ends together, using a square-knot pulled taut.

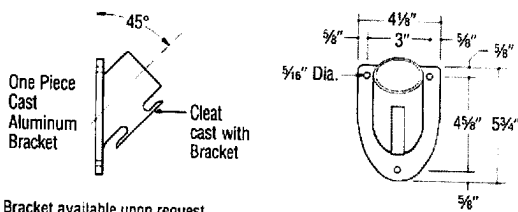
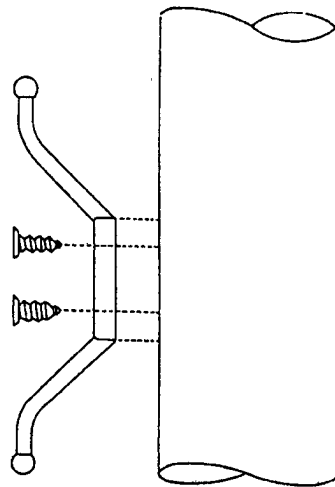
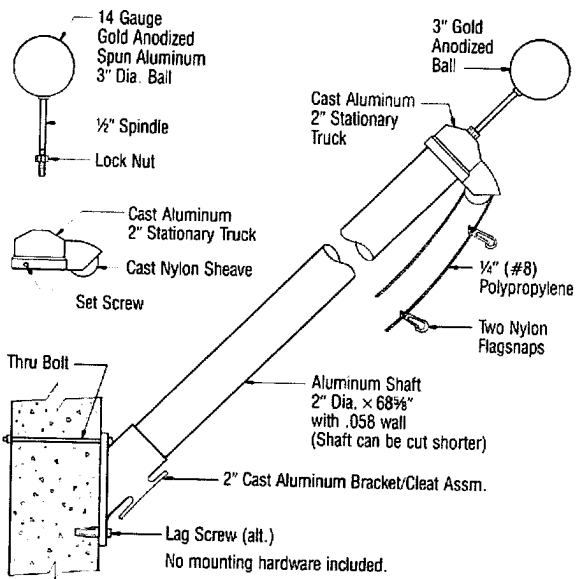
The cast metal cleat can be mounted to the flagpole with the screws provided; if you prefer, the cleat can be fastened to the wall below the flagpole, with fasteners of your choice.

Slide butt of flagpole into brackets, making certain that the shaft goes in as far as possible. Align shaft so that truck faces forward or down. Tighten set-screws with an Allen wrench to prevent the shaft from turning.

INSTALLATION DETAILS PATIO WALL MOUNTS



VERTICAL WALL MOUNT & BRACKETS



OUTRIGGER WALL MOUNT & BRACKETS

NOTE: EXTREME CAUTION SHOULD BE EXERCISED WHEN INSTALLING FLAGPOLES NEAR OVERHEAD POWER LINES.